



**Term 2,  
Weeks 5 & 6,  
2024**

**FROM THE PRINCIPAL**

**TERM 2**

**JUNE**

- 12th Sydney West Cross Country
- 14th ESI Aboriginal Dance
- S2 & 3 Orienteering
- 18th S2 & 3 Orienteering
- 24th FOIM Acacia Concert Opera House

**JULY**

- 3rd S2 Diorama Expo
- 5th NAIDOC Celebrations
- Dalmarri
- Last Day T2

**TERM 3**

- 23rd First Day T3
  - 31st Debating Workshop
- AUGUST**
- 1st S2 Hyde Park Barracks Exc
  - 5th-9th Education Wk
  - 8th Athletics Carnival
  - 22nd Debating Gala Day

Dear Parents / Carers,

Winter has certainly made its presence known this week! Please remind your child/ren to wear a school jumper or polar fleece on these cold days. Also, a reminder that beanies can be worn this term and next.

Whilst we encourage children to look after their belongings at school, there is an abundance of lost property at the moment, with many items unnamed. Please label all items clearly so they can be returned to the appropriate owner when lost.



There have been a variety of illnesses in our school community recently. We ask that you keep your child/ren home if they are unwell to help stop the spread of germs and sickness. Thank you for your assistance with this.

For information about childhood infections, please visit:

[Stopping the spread of childhood infections - Fact sheets \(nsw.gov.au\)](http://nsw.gov.au/Stopping-the-spread-of-childhood-infections)



At the end of week 4 we facilitated the Zone Cross Country Carnival at Katoomba Falls Reserve. A massive thank you to Mrs Gillian and Ms Oreleon for your amazing organisation of such a successful carnival. Thank you to staff, students, parent volunteers and helpers from other participating schools who assisted on the day. Our school placed second overall, with many students qualifying to compete at the Sydney West Carnival at Eastern Creek. We wish those competitors the very best of luck. Thanks to Paul and his helpers for running the canteen on the day too.

Our classrooms continue to be busy and productive. Teachers are currently working on Semester One student reports which will be completed for the end of Term 2.

Don't forget that next Monday, 10 June is a Public Holiday!

Thank you for your continued support of our school and Public Education.

Warm Regards,  
Kristin Hardge

## Merit Awards



**K-C** Lenny K-C

**K-H** Tyler L & Violet H

**1-2KM** Ben S

**1-2L** Ella F, Allie G & Jack L

**1-2RP** Jim S, Anna T & Simon M



**3-4G** Maggie T, Audrey O'H,

Aurelia B & Marcus W

**3-4H** Poppy R-S, Isaac C & Willow S

**3-4M** Luella J, Genevieve H, Cyrus T  
& Kiah L

**3-4Y** Sylvie W, Harley D, Naomi C &  
Jack B

**5-6K** Eli M-G & Aden H

**5-6M** Mae K & Liam C

**5-6OW** Bernie W, Gabi W, Eden J &  
Peyton T



Principal Awards  
Whole School Assembly



K-C Cooper M & Skylah B  
K-H Maddi F & Braithen J  
1-2KM Callum D  
1-2L Ethan G  
1-RP Ashton D & Olivia M



3-4G Myles G & Annabelle P  
3-4H Carlajah T  
3-4M Lucy H & Eddie C  
3-4Y Jacob C & Ivy W

5-6K Lauren C & Otto F  
5-6M Caitlin D, Alisa C, Gryffyn H  
& Jude L-L  
5-6OW Henry L & Madeline N



## “CAUGHT YOU BEING GOOD”

Congratulations to our fabulous  
“Caught You Being Good” recipients.



## HOUSE POINTS TROPHY



The House Points Trophy is awarded fortnightly at our whole school assembly to the House that has collected the highest number of House points in the previous 2 weeks. Teachers can award House points for a range of successes such as positive behaviour, lovely class work and effort in activities. Congratulations to this fortnights winning House the Kangaroos!

## “SNOWY” THE SNOW LEOPARD



Congratulations to 3-4Y,  
this week’s recipients of  
“Snowy” .



## PUBLIC SPEAKING

Blackheath hosted the Upper Mountains Public Multicultural perspectives public speaking competitions. Our speakers did us proud with their prepared and ad-hoc speeches. Philip Yeong



## TEMPORARY CLOSURE OF W/WORTH ST STOP

We have been advised that construction works are commencing today, Wednesday 5th June for the new raised pedestrian crossings for the Govetts Leap Rd / Wentworth Ave intersection, Blackheath by the Blue Mountains City Council Contractor. As part of this work process the Wentworth St bus stop, pictured, will be temporarily closed whilst the works are undertaken.



A temporary bus stop is to be made available on the Great Western Highway Blackheath, close to the front of the (Gardners Inn) whilst the works are in progress for alighting \ boarding of the various Public Route and School

services affected (duration is for approximately 1 week).

## STAGE 2 FUTSAL

Stage 2 enjoyed a great day at Futsal.  
Both teams cheered each other on and worked well together.



## STAGE 3 FUTSAL

On Friday 17th May 2024, Blackheath Public School entered six teams in the Stage 3 Futsal Gala day held at the Katoomba Aquatic Centre. Each team played 4 games. In Futsal, there are five on a side including the goalie. The competition was fierce but in true Blackheath spirit, our kids held their own. The Blackheath way is to play well but fair and



that is exactly how these 34 students approached this day. Mr Kelly and Mrs Oreleon accompanied the students and were supported by some fantastic managing from parent helpers. The day was very well organised by the Futsal Association and the kids were excited to be part of the event. The behaviour and sportsmanship was exceptional from our children and a fantastic day was had by all. Matt Kelly

# ZONE CROSS COUNTRY CARNIVAL 2024

On Friday the 24th of May, Blackheath Public School hosted the annual Upper Blue Mountains Zone Cross Country at Katoomba Falls Reserve.

The morning was clear and sunny, and it wasn't long until tents were up, and teams began the walk of the track. There were nine schools in total competing for a chance to go through to Sydney West PSSA Cross Country Championship at the Sydney International Equestrian Centre, Horsley Park on the 12th of June.

As usual, Blackheath PS students gave their all during their races and displayed good sportsmanship and team spirit as they cheered on the exhausted runners crossing the finish line. We also had some very generous Stage 3 students and parent volunteers who gave their time to be course officials. Thank you very much for your support!

A big thanks also to our wonderful staff who worked very hard to make the day such a success! Thank you to Mr Yeong, Mr Musgrave, Mrs Tomiczek, Mrs Ross and Ms Vella.

Students who qualified to compete at Sydney West on the 12th of June included: Lucy K, Naomi C, Ilka W-S, Xavier M, Flynn K, Genevieve H, Ruby R, Frankie L, Lukas W, Bernie W, Isabel C.

Congratulations to all students who made it through to the Zone Carnival, we are proud of your efforts! All the very best to our runners who will compete at the Area competition.

Amanda Gillian and Kerry Oreleon

Sports Organisers



# Our Wonder Wall

**ES1**  
Arabella D  
& Sage W



**STAGE 1**  
Rhys K,  
Heidi R,  
Lucy K,  
Elsie Mcl,  
Cienna T  
& Henry M

**STAGE 2**  
Jason R,  
Harley D,  
Pippa P,  
Poppy D,  
Cyrus T,  
Lyra A &  
Annabelle L



**STAGE 3**  
Isaac C,  
Eleanor A-G,  
Owena T,  
Isabel C,  
Marlon K  
& Lilly L



# BILLYCART DERBY THURS 19th SEPT

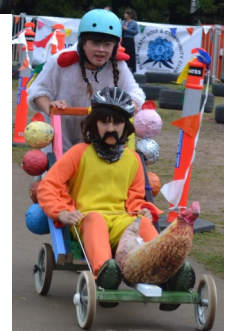


Don't forget it is a Billycart Derby year. Please see below for the rules and wheeled billycart specifications. Sponsorship cards went home with students this week, with further information to come.



## Blackheath Public School Billycart Derby Rules

- 1) All wheeled billycart race participants must wear a helmet for the duration of their race.
- 2) Wheeled billycarts must meet the specifications set in the letter home.
- 3) Wheeled billycarts must be checked by a member of the Billycart Committee and stickered before participating.
- 4) No deliberate contact with or between participants throughout the race.
- 5) Students to participate in a wheeled or wheelless race only. Exception is when a student is required to assist another student who has no partner in a wheeled race.
- 6) If you are racing with a partner in a different stage, you must enter the oldest person's stage race. For example, a Kindy and a Stage Two team up. They must enter the Stage Two race.
- 7) Stay on the marked track.
- 8) Show good sportsmanship.
- 9) The whole school is involved.



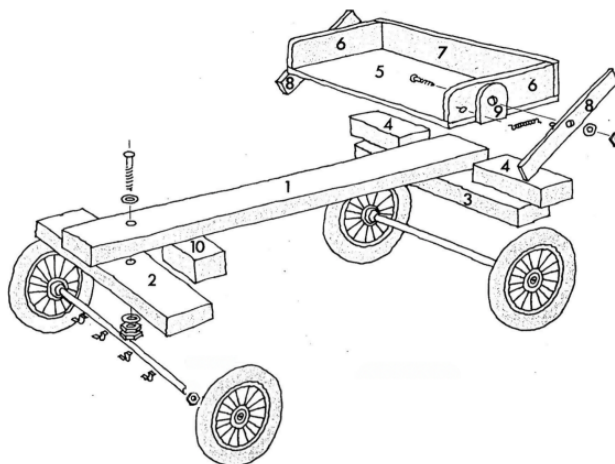
## BILLYCART PLAN

Key and Timber List					
Number	Name	Long	Wide	Thick	Material
1	Centre board	1030mm	90mm	35mm	pine
2	Steering board	470mm	140mm	35mm	pine
3	Back axle board	470mm	90mm	35mm	pine
4	Seat supports (2)	165mm	90mm	35mm	pine
5	Seat base	470mm	300mm	-	5-ply

Key and Timber List					
Number	Name	Long	Wide	Thick	Material
6	Seat sides (2)	280mm	90mm	19mm	pine
7	Seat back	470mm	90mm	19mm	pine
8	Brake handles (2)	300mm	40mm	19mm	pine
9	Brake blocks (2)	90mm	50mm	19mm	pine
10	Stop block	135mm	100mm	35mm	pine

To enable a fair contest, the following billy cart design restrictions are necessary (traditional races only):

- 1) Length - Billycarts must not be longer than 1.6m (160cm).
- 2) Width - Billycarts must not be wider than 1 metre.
- 3) Wheels - Each wheel's diameter must not exceed 30cm.
- 4) Seat - All billycarts must have a stable seat or platform.
- 5) Steering - Billycarts need to have a reliable form of steering.
- 6) Billycarts must be free of any sharp or dangerous edges.
- 7) Billycarts must be pushed by one person at a time (no other form of power is allowed).
- 8) Ball bearing wheels are allowed.



## KISS & DROP / PICK UP



Kiss and Drop/Pick up Zones are designed for your convenience and for your child's safety. Designed for quick entry and exit, these zones minimise congestion and risk when used properly by all parents and carers. These zones operate under the same conditions as no parking zones, which means you may stop to drop off or pick up children for a **maximum of 2 minutes**. You're required to remain in, or within 3 metres of, your vehicle. Fines do apply.

IT IS IMPORTANT FOR ALL OF US TO BE AWARE OF AND FOLLOW THE **ROAD SAFETY RULES** TO ENSURE THE SAFETY OF OUR CHILDREN. PLEASE REFER TO THIS LINK FOR FURTHER INFORMATION:<https://roadsafety.transport.nsw.gov.au/downloads/keeping-our-kids-safe-around-schools.pdf>

## EXTENDED LEAVE –TRAVEL or HOLIDAY

A reminder that under DoE procedures, parents/carers are required to complete an Application for Extended Leave—Travel and provide travel documentation, if they are travelling or holidaying outside of the school vacation period. Where the principal considers the travel appropriate during the school term, the absence will be recorded as holiday leave and a certificate granted.

## SCHOOL VISITOR/VOLUNTEER CHECK IN

In line with DoE policy, all visitors to our school need to check in by scanning the QR code, or via the office tablet. This includes morning and afternoon home reading volunteers. Thank you for your cooperation.

## PAYMENTS

A gentle reminder that all payments **MUST** be submitted on either Compass or in person at the school office by the due date on the note. Owing to our Department of Education system we cannot process money that comes in later than the day. If finance is an issue **PLEASE** complete an assistance form, available from the office, **PRIOR** to the due date.

# 5 tips to keep your family safe online



Parents and carers can use a combination of strategies to help young people build their digital technology skills and have safer experiences online.

## 1. Start the chat

Get into the habit of talking about online safety as a family, so your child feels comfortable coming to you if they ever need help working out an issue. It's never too early to introduce [good online habits](#) such as respect, empathy, critical thinking, responsible behaviour and resilience. As your child grows older, eSafety's advice about [hard to have conversations](#) will help with some of the tricky topics like sending nudes, online pornography and contact from sexual predators.

## 2. Create a family technology agreement

Creating a Family Technology Agreement can help you and your kids decide together when and how digital technology will be used at home. As a family, brainstorm easy-to-follow rules and display them where everyone will see them. Your agreement could cover things like: time limits, apps your kids are allowed to use and online behaviour. Families with younger children can [download](#) a template to guide the conversation.

## 3. Set up parental controls

Parental controls let you monitor and limit what your child sees and does online. It's best to use them in combination with the other online safety strategies listed here. [Taming the technology](#) can help you understand your options. Grab a device and get started with our guides to setting up parental controls on [devices and accounts](#) or in [social media, games and apps](#).

## 4. Choose games and other apps carefully

Use eSafety's [App checklist for parents](#) to think about the positives and negatives when your child asks to download a new game or other app. The checklist covers things like age ratings, managing privacy settings and reporting abuse in-app. You can also use [The eSafety guide](#) to check and set up safety features with your child.

## 5. Use digital technology together

Exploring or playing on devices or online with your child can be a positive experience that promotes learning and development. Ask questions, be curious and get involved. To learn more, read our blogpost [How to encourage good screen practices for your child](#).

Published 05/2021

# BOOSH Winter Holidays 24



Holiday opening hours: 8am-6pm weekdays

Breakfast club is available from 7-8am, please see breakfast club flyer for more info and how to book

<p><b>Monday 8/7</b> Archery</p> <p>Join us for an awesome Archery incursion. We will split into two groups for two 45 minute archery sessions.</p> <p><b>Additional fee: \$33</b></p>	<p><b>Tuesday 9/7</b> Cardboard building day</p> <p>Build a wonderful winter village, haunted house or a new friend with this epic cardboard construction day!</p>	<p><b>Wednesday 10/7</b> A trip to France!</p> <p>Board your flight [simulation] with your very own BOOSH passport. Have some traditional food, Eiffel tower challenge and more!</p> <p><b>Additional fee: \$5</b></p>	<p><b>Thursday 11/7</b> Baking day</p> <p>Join us for a day of baking savory and sweet treats.</p>	<p><b>Friday 12/7</b> PJ tea and disco</p> <p>Come dressed up in in your coziest PJ's for an epic tea and disco! Boogie the afternoon away and fill up on delicious snacks.</p> <p><b>Extra cost: \$10</b></p>
<p><b>Monday 15/7</b> Wheels day</p> <p>Shred up with your scooter or bike! Please no roller skates :)</p> <p><b>PLEASE bring protective equipment (helmet and guards as needed)</b></p>	<p><b>Tuesday 16/7</b> Sewing day</p> <p>Bring your imagination to life with a sewing day. You can make a pillow or simple stuffed toy.</p> <p><b>Extra cost: \$5</b></p>	<p><b>Wednesday 17/7</b> Tie Dye day</p> <p>Tie Dye your own T shirt [provided by BOOSH]. Create your custom design that will last a lifetime!</p> <p>[PLEASE collect your Child's shirt ]</p> <p><b>Extra cost: \$5</b></p>	<p><b>Thursday 18/7</b> Leaping Lizards incursion</p> <p>Ranger Nathan from the heritage center will be returning to run an awesome leaping lizards activity at BOOSH.</p> <p><b>Extra cost: \$25</b></p>	<p><b>Friday 19/7</b> BOOSH Olympics</p> <p>Join us for a day of sports and games with prizes for all!</p> <p><b>Extra cost: \$5</b></p>



The daily fee is \$67 + the additional fee listed for relevant days  
Note: CCS subsidies automatically reduce costs for eligible families

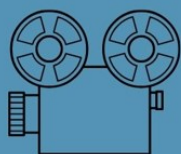
# BOOSH movie & popcorn day! 22.07.2024 pupil free day



Holiday opening hours: 8am-6pm weekdays

Breakfast club is available from 7-8am, please see breakfast club flyer for more info and how to book

We will make crazy popcorn flavors like vegemite, jam, maple syrup and more!



We will watch movies in two spaces. We will be watching a PG movie and a G rated movie. These will be voted on in the days prior. You will need to complete a permission form for your child to watch a PG rated movie.

Please follow standard vacation care booking process via email or hubworks.



The daily fee is \$67  
Note CCS subsidies automatically reduce costs for eligible families

# BOOSH Winter Holidays 24

Holiday opening hours: 8am-6pm weekdays

Breakfast club is available from 7-8am, please see breakfast club flyer for more info and how to book



## Existing BOOSH Clients

To book, login to <http://banc.hubworks.com.au>, select Login and go to BookMe

## New BOOSH Clients

To enrol at BOOSH, first visit <http://banc.hubworks.com.au> and select enrol

Website: [www.banc.org.au/boosh](http://www.banc.org.au/boosh)

Text: 0438 099 006 Email: [boosh@banc.org.au](mailto:boosh@banc.org.au)

The daily fee is \$67 + the additional fee listed for relevant days

Note: CCS subsidies automatically reduce costs for eligible families

## SAFETY FIRST!

On wheels days please bring a helmet! No rollerskates please.



## What to bring!

- Hat & sun smart shirt
- Water bottle
- Large healthy recess & lunch
- A change of clothes
- Closed shoes

All excursions and some incursion require a permission form to be completed digitally or on dropoff.

We supply afternoon tea  
BOOSH is a nut free zone



WELCOME TO OUR

# BREAKFAST CLUB

BOOSH offers a breakfast club in school holidays from 7-8am! This is separate to the program.

TO BOOK, EMAIL:  
[BOOSH@BANC.ORG.AU](mailto:BOOSH@BANC.ORG.AU)

Costing: This will be a separate fee of \$15 per child before CCS.





KATOOMBA HIGH SCHOOL INVITES  
PARENTS, CARERS & ALL PARENT-KIND TO OUR

# ParentKIND SUPPER 2024

PLEASE JOIN US  
FOR SOUP & CONVERSATION ON

## SUPPORTING LEARNING AT HOME

with Brad McLeod, KHS Deputy Principal &  
Belinda Bower, KHS Head Teacher Secondary Studies  
AND

## ARTIFICIAL INTELLIGENCE IN EDUCATION

with Professor Kalervo Gulson, Associate Dean - Research,  
Sydney School of Education & Social Work, University of Sydney

**Thursday 13 June  
6:00pm to 7:30pm**

**Katoomba High School Common Room**

This event is part of the KHS 'BeKIND' Wellbeing Initiative.

PLEASE RSVP VIA THE QR CODE OR [BIT.LY/KHSPARENTKIND2024](https://www.trybooking.com/CQ6FT)  
BY FRIDAY 7 JUNE OR CALL THE SCHOOL ON 4782 2622  
YOU ARE INVITED TO SUGGEST QUESTIONS FOR OUR SPEAKERS  
AND DISCUSSION ON THE NIGHT WHEN YOU RSVP



LEURA PUBLIC SCHOOL P&C FUNDRAISER

WE'RE GOING ON A

# VIRTUAL SCAVENGER HUNT

Need something to do these school holidays!



**JULY  
12TH-  
20TH**

Buy tickets today

<https://www.trybooking.com/CQ6FT>



**COST  
\$50  
per  
team  
up to 10**

A virtual scavenger hunt, each person or team races to track down items or solve riddles, using their home as the playing grounds.

On the first day of the week-long competition, a list is posted on the Leura P&C website with 100 different tasks for competitors to complete during the hunt. Teams then submit photos or videos of themselves completing the prompts via email, receiving points for each item completed. Prizes for the team with the most points at the end of Hunt will be announced.

100  
HIT  
QUESTIONS

50s

60s

70s

80s

90s

DECADES

TRIVIA

LEURA PUBLIC SCHOOL P&C  
FUNDRAISER

Fancy Dress Decades Trivia 50s to Now!

Scenic World Restaurant, Cliff Drive Katoomba

**Saturday 27th July 7pm**  
doors open 6:30pm

\$10 per person with teams of up to 10 people.  
First 20 tables get a free table snack box.

18+ only event. Drinks available at Bar.

Prizes for best dressed person and table.

tickets onsale at <https://www.trybooking.com/CQSLG>



LEURA PUBLIC SCHOOL P&C

**KIDS FILM COMPETITION**

Calling all primary aged Blue Mountains Kids! Are you interested in movies, want to see your movie on the big screen, here is your chance.

Make a film up to 5min and check out Leura Public School P&C website on how to submit your video.

**Free to enter**  
**Entries close 6th September**

Winning entry will get their movie projected on the big screen at the outdoor movie night before the feature and 4x free tickets to the event.