



**Term 2,
Weeks 7 & 8,
2024**

FROM THE PRINCIPAL

TERM 2

JUNE

24th FOIM Acacia
Concert Opera
House

JULY

3rd S2 Diorama
Expo
5th NAIDOC
Celebrations
Dalmarri
Last Day T2

TERM 3

23rd First Day T3
31st Debating
Workshop

AUGUST

1st S2 Hyde Park
Barracks Exc
5th-9th Education Wk
8th Athletics
Carnival
22nd Debating Gala
Day
23rd P&C Disco
26th Fathers Day
Stall
28th Narragunnawali
Rehearsal #2
29th Zone Athletics

SEPTEMBER

19th Billycart Derby
23rd Narragunnawali
Rehearsal #3
25th Narragunnawali
performance
Syd Town Hall

Dear Parents / Carers,

It's hard to believe we find ourselves in week 8 of the term already. We hope all families were able to enjoy some fun time together over the recent long weekend. Congratulations to the students who competed at the Sydney West Cross Country last week at Eastern Creek. Mrs Gillian attended on the day and reported that everyone did a great job and tried their best. Thank you to the parents and carers who took their children all the way down the mountain for this event and to Mrs Gillian for attending.

We currently have a team of 6 teachers across the school working on a mathematics project with Dr Catherine Attard in conjunction with the University of Western Sydney. The team-defined focus area is around building teachers' confidence and capacity to deliver engaging and effective quality mathematics lessons. Also, our Stage 2 team continue their work with the University of Sydney around engaging students in STEM activities. Students are keenly participating in STEM as a result and the team will upskill remaining staff in our professional learning time.

Anti-Racism Contact Officers (ARCOs) are trained to support anti-racism education in public schools. Ms Corkins is our current ARCO and is currently completing refresher training. Another three teachers will also be completing this training next term. Our yearly tree audit was recently completed with some trees earmarked for work – a few small ones to be removed and some pruning to be completed. This will occur over the next few weeks. We also completed an evacuation drill last week as part of ongoing health and safety requirements. These drills equip students and staff with the skills to evacuate in an emergency, should the need ever occur.

A big thank you to the Family First Credit Union for their donation of \$1000 towards dance costumes. Thank you to Mr Yeong for applying for this grant.

Teachers are currently working on Semester 1 Student Reports which will be finalised before the end of term. This term we will not be printing these out and sending home in envelopes as they are readily available online in COMPASS. We are looking to reduce printing costs and also saving on paper. However, if you do require a printed copy, please contact the office.

Thank you for your continued support of our school and Public Education.

Warm Regards,
Kristin Hardge Principal



Principal Awards
Whole School Assembly



K-C Lenny K-C
K-H Bovin M K
1-2KM Cohen E & Lucy K
1-2L Ruby D & Demi M-P
1-RP Jim S & Rhys K



3-4G Samuel F & Amelia J
3-4H Olive W & Isobel S
3-4M Maple H & Jerome B
3-4Y Ellie H

5-6K Crosby M
5-6M Henry C & Charlie T
5-6OW Hallie McS-J & Arabella S



Merit Awards K-2 Assembly



K-C Marcy L & Cooper L
K-H Arabella D & Sam S
1-2KM Scarlett S & Alexis O
1-2L Chase S & Cienna T
1-2RP Rigby M & Kobie L



PREMIER'S SPELLING BEE



Artwork by Benjamin Ma, Ermington Public School, for Operation Art 2023.

Stage 2 held its Premier's Spelling Bee finals at school in Week 7 with words like parfait and aggregate stumbling our finalists. Congratulations to Lily K who will be representing our school at the next level of the competition in Term 3 and well done to Rhys S who came a close second. Philip Yeong

NSW Department of Education

2024 NSW Premier's Spelling Bee

The Premier's Spelling Bee is open to all Years 2 to 6 public school students. For information visit:

artsunit.nsw.edu.au/program/nsw-premiers-spelling-bee

Key dates:

School registrations open:

Term 1 Week 8.

Registrations close:

Friday 21 June 2024

Regional Finals:

Term 3 Weeks 4 and 5.

State finals:

Friday 1 November, 2024.



“CAUGHT YOU BEING GOOD”



Congratulations to our fabulous “Caught You Being Good” recipients.

HOUSE POINTS TROPHY



The House Points Trophy is awarded fortnightly at our whole school assembly to the House that has collected the highest number of House points in the previous 2 weeks. Teachers can award House points for a range of successes such as positive behaviour, lovely class work and effort in activities. Congratulations to this fortnights winning House the Kangaroos!

“SNOWY” THE SNOW LEOPARD



Congratulations to 3-4M, this week’s recipients of “Snowy” .



S2 & S3 ORIENTEERING

Reading and navigating a map, running to checkpoints and completing a course in the quickest possible time—Stage 2 and 3 students enjoyed our lessons with Mrs Freeman in orienteering the last few weeks. Philip Yeong



ABORIGINAL DANCE & CULTURE WORKSHOP

Kindy attended an Aboriginal Dance and Culture Workshop with proud Wiradjurri Woman, Jo, and Paul who comes from Gamillaroi Country. The children learnt a dance that acknowledged Country. They talked about the importance of being respectful and walking softly on Country. Next, we all joined in with learning the Rosella Dance. Jo choreographed this dance for Blackheath Public school many years ago, when Aunty Carol and Jacinta Tobin named the Crimson Rosella as our special totem. Paul played the yidaki which sounded amazing and the children learnt about how termites bore out the wood to make a hollow instrument. The students had some ground up clay painted on their face in the pattern of the Rosella and some chose to try a spot on their hand.



The afternoon ended with an animal game where the kids had to make the shape of the animal with their partners. Lots of dancing and fun learning was had. Thanks to Jo and Paul for a wonderful session. Cat Corkins



BILLYCART DERBY THURS 19th SEPT

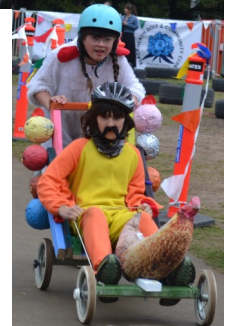


Don't forget it is a Billycart Derby year.
Please see below for the rules and wheeled billycart specifications.
Sponsorship cards and raffle tickets have gone home with students.



Blackheath Public School Billycart Derby Rules

- 1) All wheeled billycart race participants must wear a helmet for the duration of their race.
- 2) Wheeled billycarts must meet the specifications set in the letter home.
- 3) Wheeled billycarts must be checked by a member of the Billycart Committee and stickered before participating.
- 4) No deliberate contact with or between participants throughout the race.
- 5) Students to participate in a wheeled or wheelless race only. Exception is when a student is required to assist another student who has no partner in a wheeled race.
- 6) If you are racing with a partner in a different stage, you must enter the oldest person's stage race. For example, a Kindy and a Stage Two team up. They must enter the Stage Two race.
- 7) Stay on the marked track.
- 8) Show good sportsmanship.
- 9) The whole school is involved.



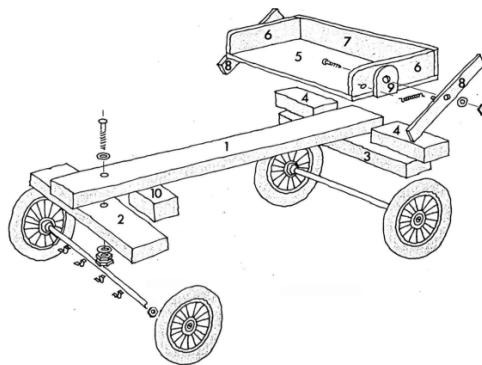
BILLYCART PLAN

Key and Timber List					
Number	Name	Long	Wide	Thick	Material
1	Centre board	1030mm	90mm	35mm	pine
2	Steering board	470mm	140mm	35mm	pine
3	Back axle board	470mm	90mm	35mm	pine
4	Seat supports (2)	165mm	90mm	35mm	pine
5	Seat base	470mm	300mm	-	5-ply

Key and Timber List					
Number	Name	Long	Wide	Thick	Material
6	Seat sides (2)	280mm	90mm	19mm	pine
7	Seat back	470mm	90mm	19mm	pine
8	Brake handles (2)	300mm	40mm	19mm	pine
9	Brake blocks (2)	90mm	50mm	19mm	pine
10	Stop block	135mm	100mm	35mm	pine

To enable a fair contest, the following billy cart design restrictions are necessary (traditional races only):

- 1) Length - Billycarts must not be longer than 1.6m (160cm).
- 2) Width - Billycarts must not be wider than 1 metre.
- 3) Wheels - Each wheel's diameter must not exceed 30cm.
- 4) Seat - All billycarts must have a stable seat or platform.
- 5) Steering - Billycarts need to have a reliable form of steering.
- 6) Billycarts must be free of any sharp or dangerous edges.
- 7) Billycarts must be pushed by one person at a time (no other form of power is allowed).
- 8) Ball bearing wheels are allowed.



Raffle Tickets

As part of our Billycart Derby fundraising, we are selling raffle tickets with fabulous prizes. Every family has received tickets to sell with additional tickets available from the office. (One ticket \$2 / three tickets \$5)
All tickets & money are due back Friday 20th September.



Prizes

1 st Prize	An overnight stay at Wildacres , Shipley Rd, Blackheath A duo Insight membership valued at \$70 Josophan's chocolate hamper
2 nd Prize	Taronga Zoo Family pass Voucher to visit The Conservation Hut Wentworth Falls Explorer Bus family pass
3 rd Prize	Zig Zag Railway family pass Norman Lindsay Gallery family pass
4 th Prize	Nepean Belle family pass A mini golf game at Archie Brothers' Cirque Electric in Penrith
5 th Prize	Panthers prize pack posters, scarf and more

KISS & DROP / PICK UP



Kiss and Drop/Pick up Zones are designed for your convenience and for your child's safety. Designed for quick entry and exit, these zones minimise congestion and risk when used properly by all parents and carers. These zones operate under the same conditions as no parking zones, which means you may stop to drop off or pick up children for a **maximum of 2 minutes**. You're required to remain in, or within 3 metres of, your vehicle. Fines do apply.

IT IS IMPORTANT FOR ALL OF US TO BE AWARE OF AND FOLLOW THE **ROAD SAFETY RULES** TO ENSURE THE SAFETY OF OUR CHILDREN. PLEASE REFER TO THIS LINK FOR FURTHER INFORMATION:<https://roadsafety.transport.nsw.gov.au/downloads/keeping-our-kids-safe-around-schools.pdf>

EXTENDED LEAVE –TRAVEL or HOLIDAY

A reminder that under DoE procedures, parents/carers are required to complete an Application for Extended Leave—Travel and provide travel documentation, if they are travelling or holidaying outside of the school vacation period. Where the principal considers the travel appropriate during the school term, the absence will be recorded as holiday leave and a certificate granted.

SCHOOL VISITOR/VOLUNTEER CHECK IN

In line with DoE policy, all visitors to our school need to check in by scanning the QR code, or via the office tablet. This includes morning and afternoon home reading volunteers. Thank you for your cooperation.

PAYMENTS

A gentle reminder that all payments **MUST** be submitted on either Compass or in person at the school office by the due date on the note. Owing to our Department of Education system we cannot process money that comes in later than the day. If finance is an issue **PLEASE** complete an assistance form, available from the office, **PRIOR** to the due date.

BOOSH Winter Holidays 24



Holiday opening hours: 8am-6pm weekdays

Breakfast club is available from 7-8am, please see breakfast club flyer for more info and how to book

<p>Monday 8/7 Archery</p> <p>Join us for an awesome Archery incursion. We will split into two groups for two 45 minute archery sessions.</p> <p>Additional fee: \$33</p>	<p>Tuesday 9/7 Cardboard building day</p> <p>Build a wonderful winter village, haunted house or a new friend with this epic cardboard construction day!</p>	<p>Wednesday 10/7 A trip to France!</p> <p>Board your flight [simulation] with your very own BOOSH passport. Have some traditional food, Eiffel tower challenge and more!</p> <p>Additional fee: \$5</p>	<p>Thursday 11/7 Baking day</p> <p>Join us for a day of baking savory and sweet treats.</p>	<p>Friday 12/7 PJ tea and disco</p> <p>Come dressed up in your coziest PJ's for an epic tea and disco! Boogie the afternoon away and fill up on delicious snacks.</p> <p>Extra cost: \$10</p>
<p>Monday 15/7 Wheels day</p> <p>Shred up with your scooter or bike! Please no roller skates :)</p> <p>PLEASE bring protective equipment (helmet and guards as needed)</p>	<p>Tuesday 16/7 Sewing day</p> <p>Bring your imagination to life with a sewing day. You can make a pillow or simple stuffed toy.</p> <p>Extra cost: \$5</p>	<p>Wednesday 17/7 Tie Dye day</p> <p>Tie Dye your own T shirt [provided by BOOSH]. Create your custom design that will last a lifetime!</p> <p>[PLEASE collect your Child's shirt]</p> <p>Extra cost: \$5</p>	<p>Thursday 18/7 Leaping Lizards incursion</p> <p>Ranger Nathan from the heritage center will be returning to run an awesome leaping lizards activity at BOOSH.</p> <p>Extra cost: \$25</p>	<p>Friday 19/7 BOOSH Olympics</p> <p>Join us for a day of sports and games with prizes for all!</p> <p>Extra cost: \$5</p>



The daily fee is \$67 + the additional fee listed for relevant days
Note: CCS subsidies automatically reduce costs for eligible families

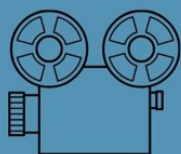
BOOSH movie & popcorn day! 22.07.2024 pupil free day



Holiday opening hours: 8am-6pm weekdays

Breakfast club is available from 7-8am, please see breakfast club flyer for more info and how to book

We will make crazy popcorn flavors like vegemite, jam, maple syrup and more!



We will watch movies in two spaces. We will be watching a PG movie and a G rated movie. These will be voted on in the days prior. You will need to complete a permission form for your child to watch a PG rated movie.

Please follow standard vacation care booking process via email or hubworks.



The daily fee is \$67
Note CCS subsidies automatically reduce costs for eligible families

BOOSH Winter Holidays 24

Holiday opening hours: 8am-6pm weekdays

Breakfast club is available from 7-8am, please see breakfast club flyer for more info and how to book



Existing BOOSH Clients

To book, login to <http://banc.hubworks.com.au>, select Login and go to BookMe

New BOOSH Clients

To enrol at BOOSH, first visit <http://banc.hubworks.com.au> and select enrol

Website: www.banc.org.au/boosh

Text: 0438 099 006 Email: boosh@banc.org.au

The daily fee is \$67 + the additional fee listed for relevant days
Note: CCS subsidies automatically reduce costs for eligible families

SAFETY FIRST!

On wheels days please bring a helmet! No rollerskates please.



What to bring!

- Hat & sun smart shirt
- Water bottle
- Large healthy recess & lunch
- A change of clothes
- Closed shoes

All excursions and some incursion require a permission form to be completed digitally or on dropoff.

We supply afternoon tea
BOOSH is a nut free zone



WELCOME TO OUR

BREAKFAST CLUB

BOOSH offers a breakfast club in school holidays from 7-8am! This is separate to the program.

TO BOOK, EMAIL:
BOOSH@BANC.ORG.AU

Costing: This will be a separate fee of \$15 per child before CCS.

